

Zero Static Tee Bodies

Innovation

Aquasyn Zero Static block body tee valves are the premiere product of their kind in the industry. Our true Zero Static design offers the smallest footprint to facilitate installation within complicated piping geometries and is the lightest weight of any similar style body. And they can be customized into a variety of configurations, including sampling or diverting flow.

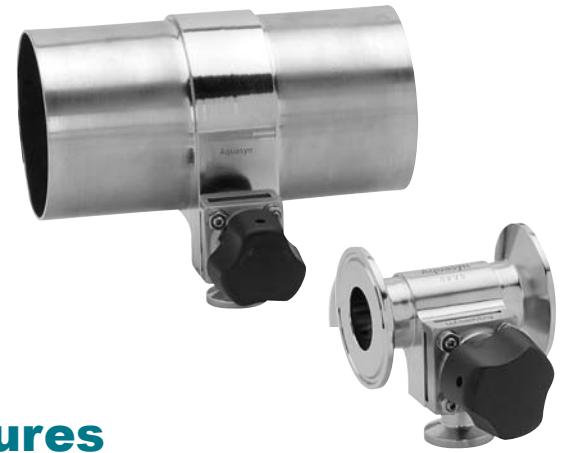


Points of Use



Features

- Minimized footprint
- Compact centerline dimensions
- Readily cleanable exterior, all surfaces sloped and radiused
- True Zero Static design
- Low pressure drop, high flow co-efficient (Cv) insures optimum performance
- Integrated sampling valves and other custom options available



Features

- True Zero Static design
- Fully machined from block
- Ergonomic design
- Completely drainable
- Readily cleanable exterior, all surfaces sloped and radiused
- Industry's smallest footprint and lightest weight
- Integrated sampling valves and other custom options available
- Stocked components enable "made-to-order" assemblies in very short lead times.

Compact

State of the art block body design, coupled with the tightest bend radii in the industry allow Aquasyn point of use valves to be easily integrated into areas where space is at a premium.

Our design provides minimal pressure drop and superior system performance. We can deliver customized and standard point of use valves on a fast track basis.

