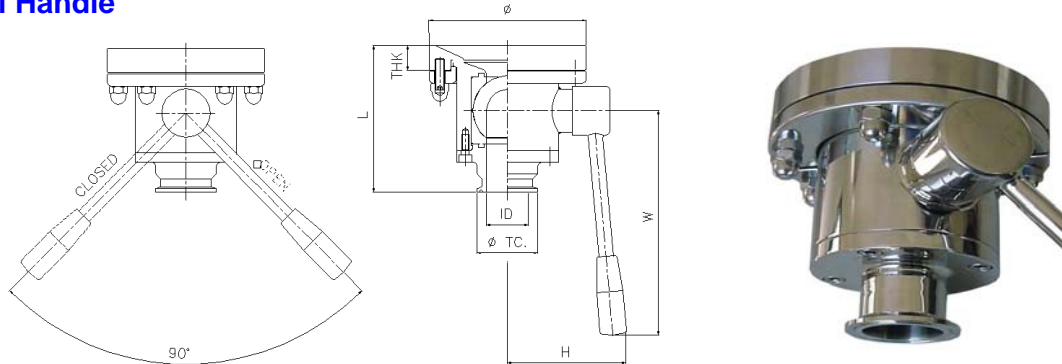




## TBV-TK - FLUSH TANK BOTTOM VALVE MOUNTED ON TANK CONNECTION

### Manual Handle



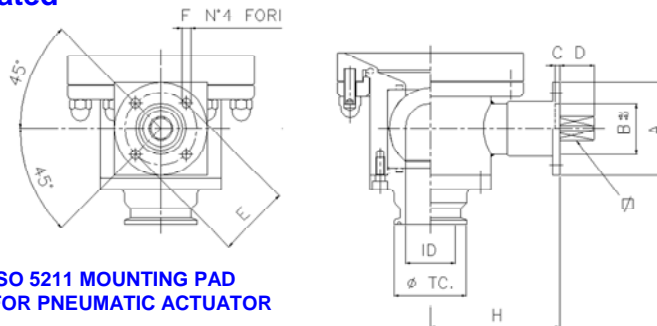
### Dimensions

CODE	INCH	DN	ØTC	ID	L	W	H	TK-Conn	Ø	Thk
TBVM-TK 1"-97TC-6	1"	25	50,4	22,1	95	72	155	2"1/2	112	17
TBVM-TK 1"1/2-97TC-6	1" 1/2	40	50,4	34,8	120	85	185	3"	130	20
TBVM-TK 2"-97TC-6	2"	50	64	47,5	140	95	185	4"	170	20
TBVM-TK 2"1/2-97TC-6	2" 1/2	65	77,4	60,2	150	100	245	4"	170	20
TBVM-TK 3"-97TC-6	3"	80	90	72,9	170	115	245	6"	220	30
TBVM-TK 4"-97TC-6	4"	100	118,8	97,6	Not applicable with TK-Connections					

on request different options are available :

the TK-Conn Welding plate is available also with bigger radius or different thickness, extended tube for orbital welding, or any special adaptors plates

### Pneumatic Actuated



ISO 5211 MOUNTING PAD  
FOR PNEUMATIC ACTUATOR

### Dimensions

CODE	A	B	C	D	E	F	ISO	□	Nm	H
Actuator type	SR-DA	SR-DA	SR-DA	SR-DA	SR-DA	SR-DA	SR-DA	SR-DA	#	
TBVP-TK 1"	Ø55-45	30-25	2,5	11,5-10	42-50	5,5-6,5	F04-F05	11-9	30	
TBVP-TK 1"1/2-	Ø65	35	3,5	14,5-12	50	6,5	F05	14-11	60	
TBVP-TK 2"	Ø65	35	3,5	14,5	50	6,5	F05	17-14	120	
TBVP-TK 2"1/2	Ø85	35	3,5	19-14,5	70	8,5	F07	22-17	180	
TBVP-TK 3"	Ø85	35	3,5	19-14,5	70	8,5	F07	22-17	240	
TBVP-TK 4"	Ø150-120	85-55	3,5	25-18	125-102	13-11	F12-F10	27-22	480	

Pneumatic actuator type:

SR = Simple Effect, spring return

DA= Double Effect, air to close

# Maximum break-out torque in Nm.

Additional information and more at: [sales@cskbio.com](mailto:sales@cskbio.com)  
The specifications or design are subject to change without prior notice.