

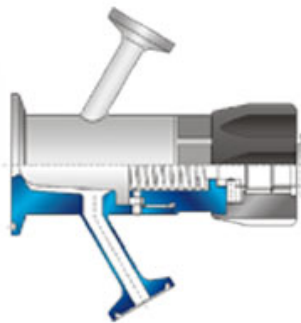


Tank Sample Valve -TSV

This valve has been designed for sterile sampling from any type of vessel; the special configuration assures effective cleaning (CIP) and sterilization (with saturated steam) of product contact surface of valve and the sealing plug with the valve in closed position. Once installed; the sealing plug shuts off flush with the inlet port connection that guaranties zero deadleg



Sample valve without steam port



Sample valve with steam port



Mounted on Tank Flange

Technical Data

Valve Body:	Machined Stainless steel 316L available as TC, or weld connection
End Connections:	weld ends, Clamp end
External Surface finish:	Mechanical mirror polish
Internal Surface finish:	Mechanical polish, Ra ≤ 0.6 µm
Pressure:	8 bar (116 psi)
Temperature:	-30°C up to +150°C
Flow rate:	1200 lt/h @ 2 bar
Available size:	¾" up to 2"



Membrane

Specially made Membrane in white PTFE or Silicone FDA compliance



Get more information at: sales@cskbio.com
The specifications or design are subject to change without prior notice.