

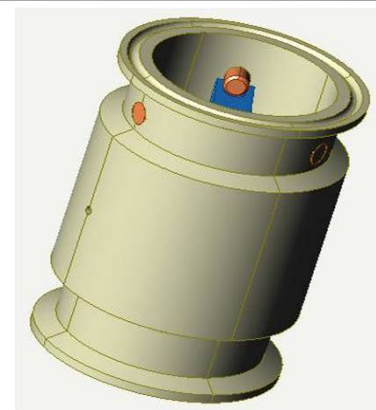


Quick Clean Sanitary Relief Valve

The Quick Clean Relief Valve was designed for the stringent requirements of companies in sanitary markets. This design virtually eliminates dead space in the valve where bacteria and germs can contaminate the process.

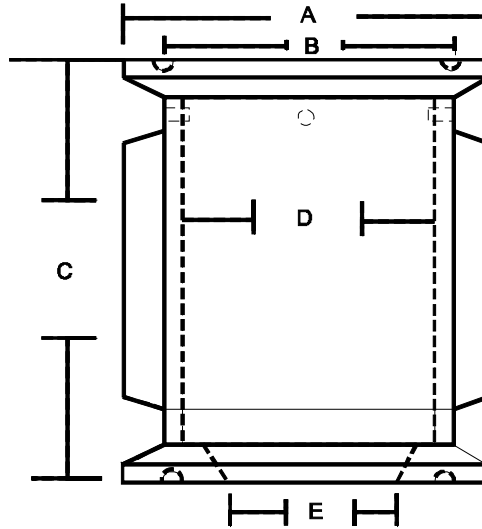
The Quick Clean Relief Valve can be sterilized with steam and germicide and has Clean in Place (C.I.P.) capability. This valve can be disassembled for cleaning and reassembled without changing the set pressure.

Safety First Valve, working with leading Biotech and Pharmaceutical companies, has developed the standard relief valve for the sanitary market. This unique design allows for Clean in Place (CIP) with the valve disc flush with the flat surface of the inlet. All machined surfaces meet or exceed 3A Standards. The valve can be quickly and easily disassembled for sterilization and reassembled without affecting the set pressure of the safety relief device. The Quick Clean Sanitary Relief Valve is a soft seat modulating relief valve with set pressures from 1 psig to 2000psig.



Features and benefits:

- Quick Clean
- Quick Re-Setting
- Leak Tight
- Fail Safe
- Low Maintenance
- Wide Range of Pressure
- CIP (In-Place Cleaning)
- Re-Closing



FITTING SIZE	MODEL	SIZE	A OD	B GASKET	C HEIGHT	D ID	E FLOW AREA
0.5"	CSKQC 0.5-S	0.5"	0.984"	0.817"	2.00"	0.700"	0.20"
1.5"	CSKQC 1.0-S	1.0"	1.980"	1.720"	2.40"	1.375"	0.45"
2.0"	CSKQC 1.5-S	1.5"	2.510"	2.250"	3.00"	1.870"	1.00"
2.5"	CSKQC 2.0-S	2.0"	3.040"	2.770"	3.50"	2.370"	1.25"
3.0"	CSKQC 2.5-S	2.5"	3.540"	3.270"	3.50"	2.870"	1.78"
4.0"	CSKQC 3.0-S	3"	4.680"	4.370"	5.50"	3.830"	2.38"
6.0"	Available	on	request				

Additional Features and benefits:

- Also available in Flanged or Threaded Models
- Available in most materials including Hastelloy
- Can be used as an inline check valve
- Valve Pressure: 1 psi to 2,000 psi
- Combination units available
- Available in ISO, DIN on request



Surface finish:

Product contact surface finish: Ra ≤0.6 μm

Additional information and more at: sales@csk-bio.com
The specifications or design are subject to change without prior notice.