



RSH - ROTARY SPRAY HEAD

RSH series heads are made of stainless steel, with the rotating sphere rolling on two ball bearing rows, to make operation possible in any position. Inner and outer surfaces are carefully machined, cleaned and polished to avoid contamination for bacterial growth.

CSK-BIO offers state of the art rotating Spray Balls, which can be used in various applications. When compared to traditional static Spray Balls, the rotating feature gives considerable benefits. These benefits include lower water consumption, shorter washing times and better cleaning results.

In all CSK-BIO Spray Balls the spray head is set into rotation by the flow of the cleaning media. The cleaning solution is applied through the circulation slots to the entire inside surface of the vessel. The cleaning is done by spray impact and cascading flow.

Typical applications are for the processing industries in general and for the Drink and Food industry in particular, where hygiene is a basic requirement. CSK-BIO Spray Balls can be used in processing, storage and transportation tanks and vessels as well as in CIP cleanable machinery. Balls are exceptionally well suitable for milk, wine and beer processing applications. Due to reasonable price CSK-BIO rotating Spray balls are also well suitable for replacing static Spray Balls.

The RSH 2629 and 2900 heads are available in three different connections, female thread, a clip-on or a weld-on connection.

The two latter types are shown with more detail at the bottom of this page.

Their robust and simple design, high quality construction, long trouble-free service and remarkable efficiency have made them very popular for general purpose applications, in thousands of applications all over the world. Manufactured of stainless Steel AISI 316L, the rotating sphere rolling on two rows of ball bearing Inner and outer surfaces machined, cleaned and polished.

Available connections:

- BSP female thread
- Clip-on
- ISO butt weld

Material:

Stainless Steel AISI 316L



BSP CONNECTION

Part Number	Flowrate lt/min				Available pattern			Pipe Connections (RF)				Dim. mm	
	2bar	3bar	5bar	7bar	360°	270°S	180°G	½"	¾"	1"	1 1/4"	H	D
RSH 2629 B31BG	51,4	63,0	77,7	91,2			*	*				114	45
RSH 2630 B31BG	51,4	63,0	77,7	91,2			*		*				
RSH 2899 B31EG	73,5	90	116	131	*			*					
RSH 2900 B31CG	73,5	90	116	131		*			*				
RSH 2900 B31EG	73,5	90	116	131	*				*				
RSH 3120 B31BG	98	120	155	183			*			*			
RSH 3120 B31CG	98	120	155	183		*				*			
RSH 3120 B31EG	98	120	155	183	*					*			
RSH 3135 B31EG	110	135	165	195	*				*				
RSH 3300 B31EG	245	300	388	457	*					*	130	65	





CLIP CONNECTION

Part Number	Flowrate lt/min				Available pattern			Pipe Connections (RF)		Dim. mm		180° B
	2bar	3bar	5bar	7bar	360°	270°S	180°G	DN25	DN40	H	D	
RSH 2630 B31BC	51,4	63,0	77,7	91,2			*	*		135	45	360° E
RSH 2900 B31CC	73,5	90	116	131		*		*				
RSH 2900 B31EC	73,5	90	116	131	*			*				
RSH 3120 B31BC	98	120	155	183			*	*				
RSH 3120 B31CC	98	120	155	183		*		*				
RSH 3120 B31EC	98	120	155	183	*			*				
RSH 3300 B31EC	245	300	388	457	*			*	*	160	65	

How to Order (Part Number)

The precise identification of each different head, including size, spray pattern and pipe connection is only obtained combining the different option coding into a complete code.

Please notice examples below

RSH 2900 B3 SC Spray pattern 360° Clip connection
 RSH 2900 B3 BC Spray pattern 360° 3/4" BSP female thread
 RSH 2629 B3 ZB Spray pattern 360° down 1/2" BSP female connection

Clip-on connection

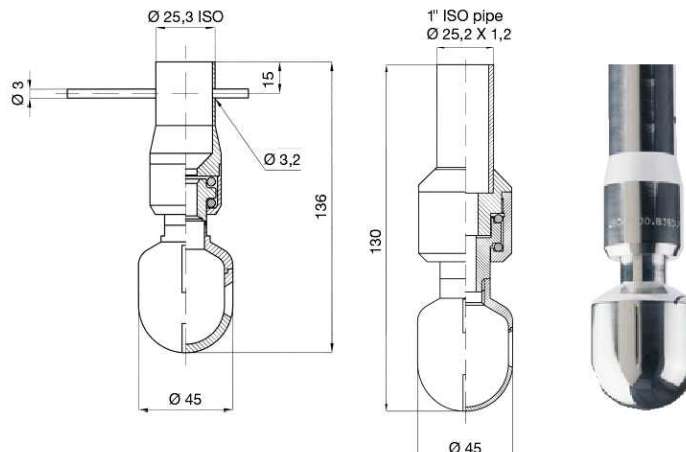
This model can be assembled onto a fixed pipe entering the tank shell by means of a simple spring retaining pin, and offers a simple way for a quick removal of the head from its location, in those applications where easily performed cleaning is required.

The clip end of the head will accept inside a standard 1" ISO Tube, with 25 mm outer diameter.

Weld-on connection

The opposite case, where the head can be left in place between two washing cycles, or where the complete assembly of pipe and washing head can be removed from the top can require the installation of a weld-on pipe.

The connection end of the Tube will match a standard ISO Tube with 25 mm outer diameter and 1.2 mm thickness.



Additional information and more at: sales@cskbio.com
 The specifications or design are subject to change without prior notice.