



TSVKIG SAMPLE VALVE INGOLD MOUNTED

This valve has been designed for sterile sampling from any type of vessel; mounted on an INGOLD the special configuration assures effective cleaning (CIP) and sterilization (with saturated steam) of product contact surface of valve and the sealing plug with the valve in closed position.

Once installed; the sealing plug shuts off flush with the inlet port connection that guaranties zero deadleg, and real representative sample of the product.

Available with silicone or PTFE membrane
ideal for sampling fluid from reactor
preparation or product tanks, where Ingold
DN25 with DIN G 1 1/4" are installed



Ingold connection with manual sample valve and with CIP / SIP port TC 1/2 ".

Technical Data

Installation Connection:	INGOLD®
Diaphragm:	Silopren LSR 2670 - TFM 1600 PTFE
Connections:	Clamp, ButtWeld BS/OD
Handle:	Thermoplastic material (POM)
Max. Operating Pressure:	10 barg
Max. Operating Temperature:	-10°C to 150°C
Option:	pneumatic actuator in stainless steel with simple or double effect
Inside surfaces std. Finish	Ra ≤ 0,6 µm
Outside surfaces std. Finish	mirror polish

Final inspection

100% roughness inspection on inside surfaces
100% visual inspection on weldings
100% check and test of pressure tightness
100% of final unit

Documentation & Certificates

On request, we can supply the following validation documentation :

- EN 10204 3.1B material certificate
- Inside surfaces Ra Roughness certificates
- FDA certificate of conformity CFR under title 21,
- paragraph 177.2600 for Silicone and
- paragraph 177.1550 for TFM 1600 PTFE
- Specifications certificate of conformity
- ISO 9001 certificate
- ATEX 94/9/CE certificate

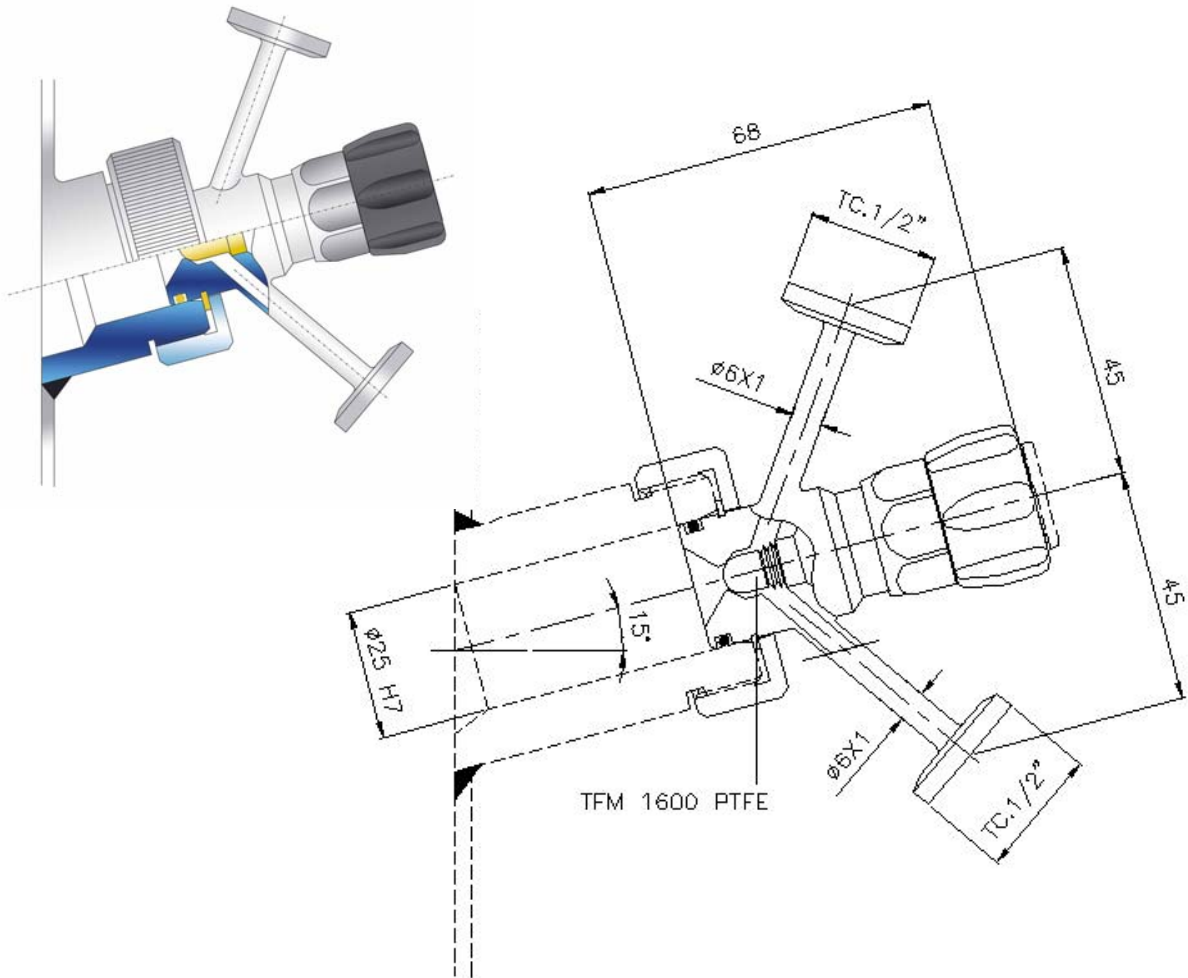
Non destructive test

100% inspection with Penetrant Liquid in order to guaranty NO porosity or welding defects.

Upon request; Radiographic inspection in order to find out possible cavity or material inclusion

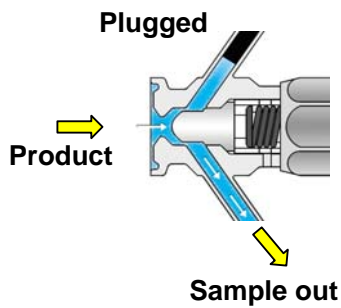


CONFIGURATION

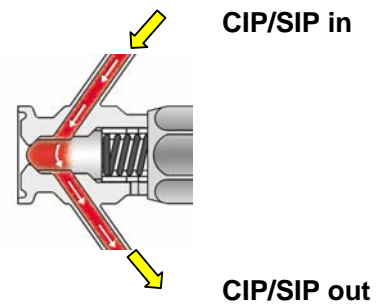


FUNCTION MODES

Valve open in Sampling mode



Valve closed in Sterilization mode



Get more information at: sales@cskbio.com
The specifications or design are subject to change without prior notice